



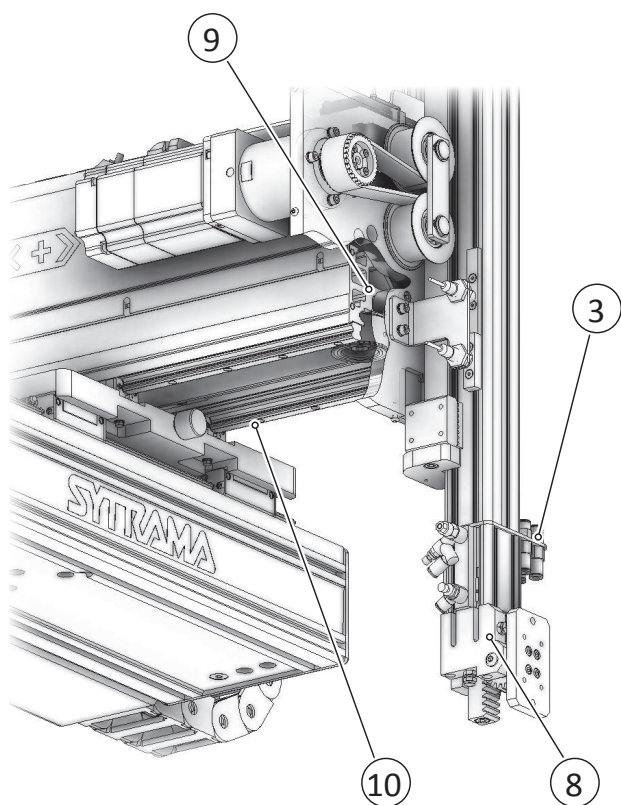
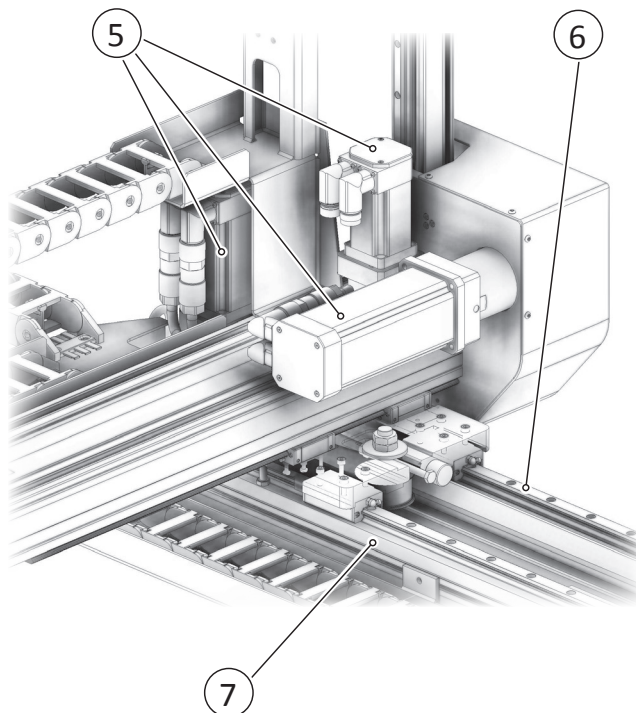
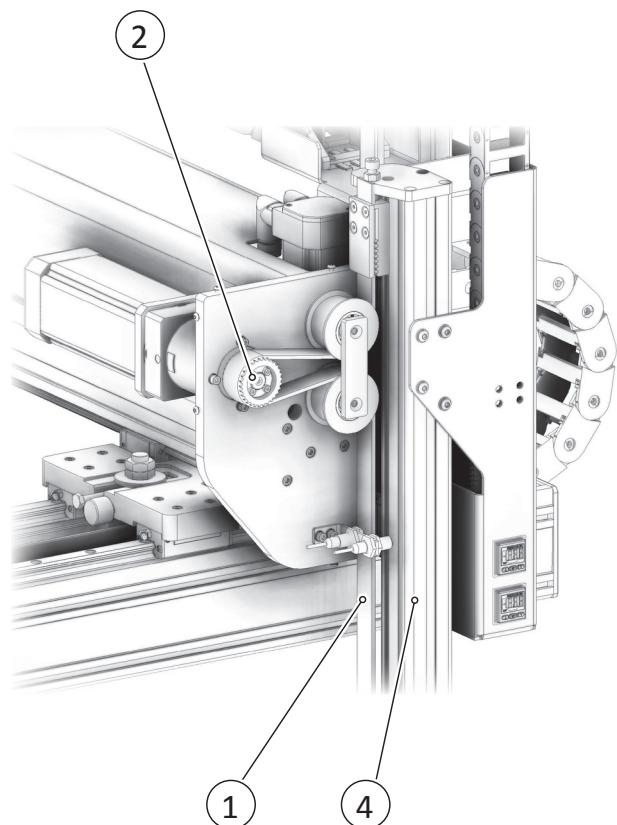
		Transverse axis	Vertical axis	Extraction axis	OCP control panel	
Working stroke	mm (in)	ONE-S	1300 (51.18")	1000 (39.37")	350 (13.78")	Visual programming language
		ONE-L	1500 (59.05")	1000 (39.37")	350 (13.78")	Easy positioning teaching
		ONE-XL	1800 (70.87")	1000 (39.37")	350 (13.78")	Standard palletizing program
Max speed	m/s (in/sec)	1,8 (70.86)	3 (118.1)	0,9 (35.43)	Controls up to 4 axis	
Gripper unit overturning	(pneumatic)	90°			Storage for 100 programs	
Wrist A or B rotation	(pneumatic)	0° - 90° / 0° - 180° (Optional)			Multiple password protection level	
Vacuum circuit		N°1 12 l/min (0.42 cubic ft/min)			Immediate switching between 8 language available	
Pneumatic circuit		1			Program backup/restore with compact flash	
Max applicable weight		3 kg (11lbs.)			Control monitors system conditions and maintenance status	
Power supply		220Vac TN 1,3 kW			Easy approach to programming	
Air supply		6 bar 600 kPa (90PSI)				
Suitable injection moulding machines		40-250 ton (50-275 US Tons)				

Special strokes and devices available on request

Technical data are not binding and are subject to modification without notice

ONE

SYTRAMA



1. *Y axis high power belt*
2. *low maintenance and accurate belt transmission*
3. *easy connection for pneumatic utility*
4. *special aluminum designed for high stiffness*
5. *brushless motor*
6. *Z axis high-precision guiding system with sliding block on prismatic guides*
7. *Z axis high power belt*
8. *90° pneumatic overturning*
9. *special aluminum designed for high stiffness*
10. *X axis high-precision guiding system with sliding block on prismatic guides*