



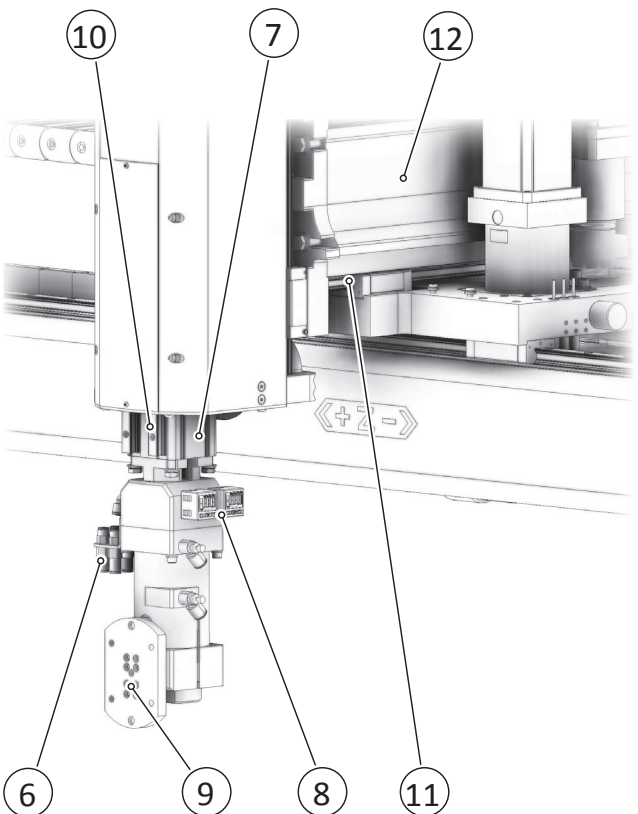
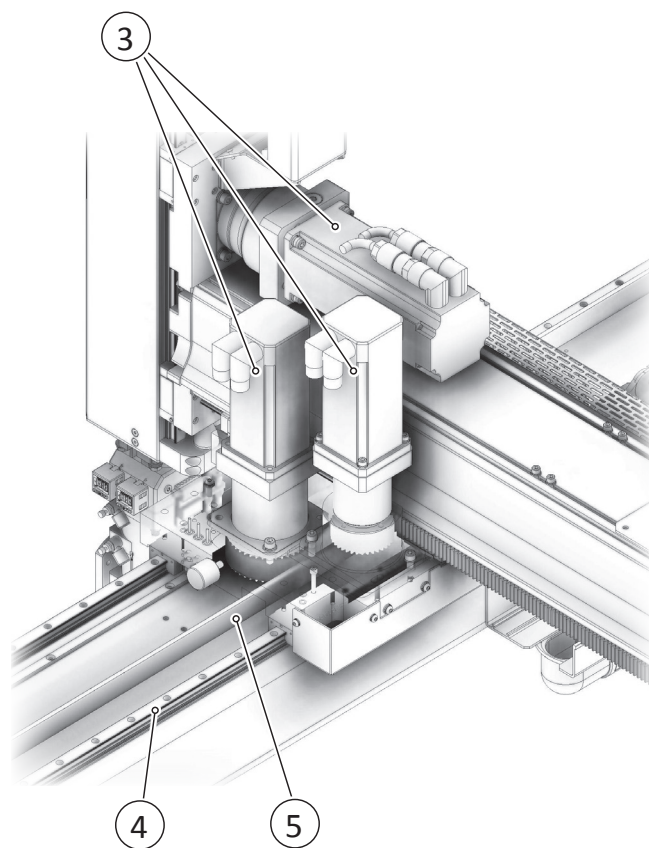
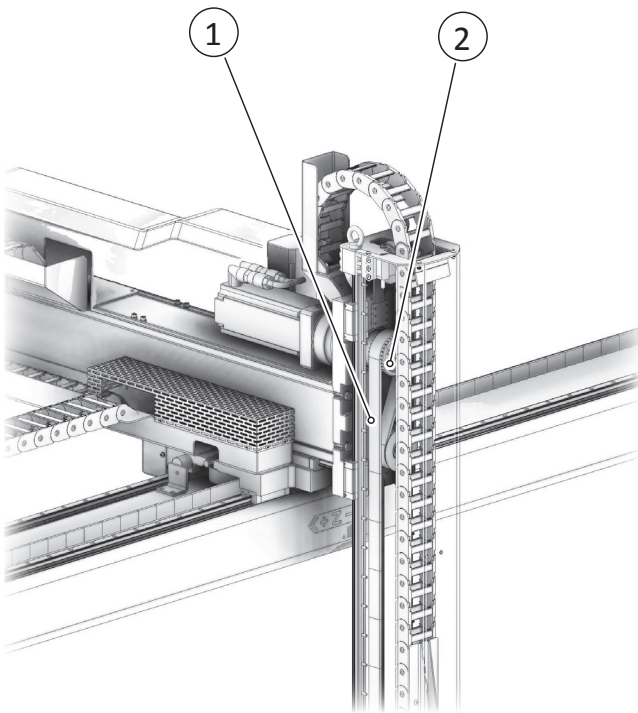
		Transverse axis	Vertical axis	Extraction axis	SCP2 control panel
Working stroke	<i>S10-S (mm)</i>	2500	1600	900	Storage for 100 programs with 300 program lines
	<i>S10-L (mm)</i>	3000	1800	900	
Top speed	<i>(m/s)</i>	2	4	1	Standard palletizing program
Application on injection moulding machines	<i>(tonnes)</i>	400-700 (S10-S) / 700-1000 (S10-L)			Immediate switching between 2 languages, multiple language available
Positioning reproducibility	<i>(mm)</i>	± 0.2			User definible safe working areas (8 in total)
Manipulable weight	<i>(kg) *</i>	20			Program backup/restore via USB
Pickup device turning	<i>(C axis)</i>	0° - 90°			Multiple passwords allow customized protection levels
Pickup device rotation	<i>(A axis)</i>	0°-90°/0°-180° (Optional)			Control monitors system conditions and maintenance status
Piece presence control with vacuum switch		standard			Expandable and remotable 12 Input and 12 Output modules
E.O.A.T control		standard			Controls up to 6 axis, with synchro movements
Compressed air supply	<i>(bar) kPa</i>	(6) 600			Remote assistance via ethernet available on request
Venturi vacuum system max. air consumption	<i>(NI/min)</i>	24			Runs up to 10 parallel programs
Mains voltage		3x400-480 VAC TT TN system			Easy positioning teaching
Maximum rated power	<i>(kW)</i>	7,5			
Auxiliary control voltage	<i>(V d.c.)</i>	24			
Noise level	<i>dB(A)</i>	<85			
Paintwork		RAL 7016 - RAL 9022			
Electrical panel paintwork		RAL 7035			
Interfacing		Euromap 67 - 12 (optional)			
Weight of manipulator	<i>(kg)</i>	450 (S10-S) / 500 (S10-L)			
Weight of electrical panel	<i>(kg)</i>	98			

* Including pickup device and depending on application, speeds and accelerations

Technical data are not binding and are subject to modification without notice

SIO

SYTRAMA



1. *Y axis high power belt*
2. *low maintenance and accurate belt transmission*
3. *brushless motor*
4. *Z axis high-precision guiding system with sliding block on prismatic guides*
5. *Z axis high power belt*
6. *easy connection for pneumatic utility*
7. *special aluminum designed for high stiffness*
8. *analogic measuring vacuum, programmable from keyboard*
9. *90° pneumatic overturning*
10. *Y axis high-precision guiding system with sliding block on prismatic guides*
11. *X axis high-precision guiding system with sliding block on prismatic guides*
12. *special aluminum designed for high stiffness*