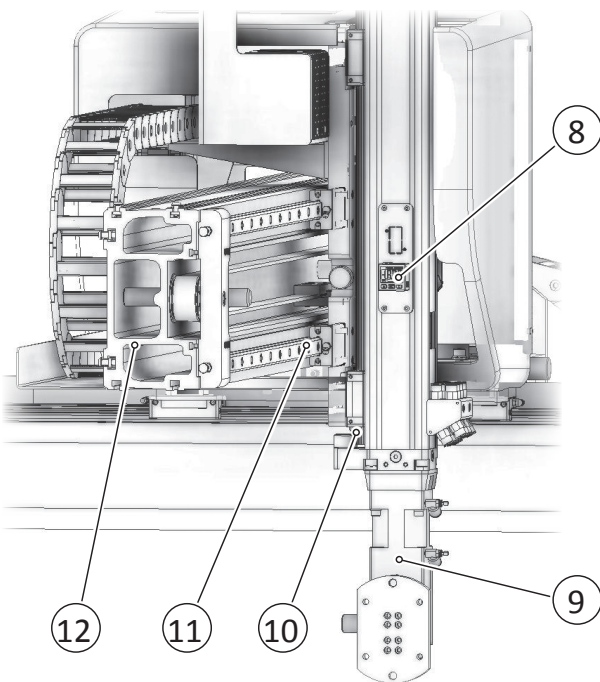
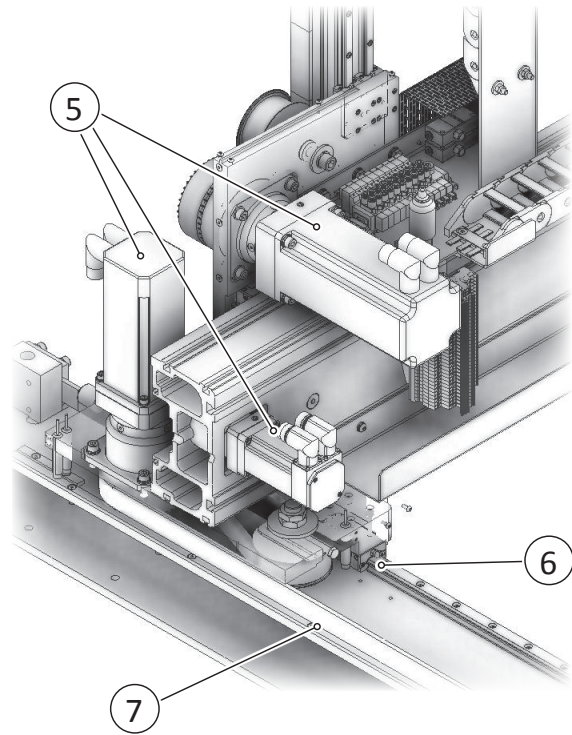
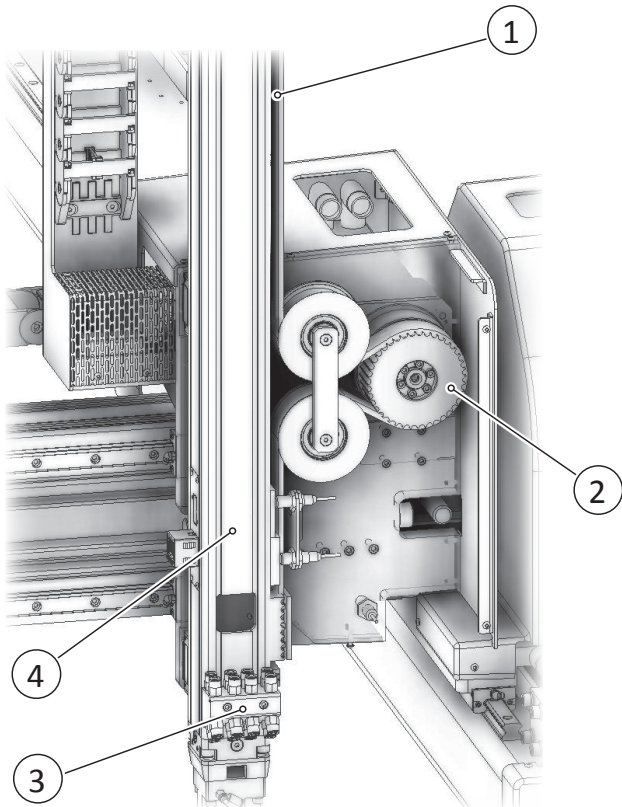




		Transverse axis	Vertical axis	Extraction axis	SCP2 control panel
Working stroke	S9-S (mm)	2000	1200	600	Storage for 100 programs with 300 program lines
	S9-L (mm)	2500	1400	700	
Top speed	(m/s)	2.5	3	1	Standard palletizing program
Application on injection moulding machines	(tonnes)	250-350 (S9-S) / 350-500 (S9-L)			Immediate switching between 2 languages, multiple language available
Positioning reproducibility	(mm)	± 0.2			User definible safe working areas (8 in total)
Manipulable weight	(kg) *	10			Program backup/restore via USB
Pickup device turning	(C axis)	0° - 90°			Multiple passwords allow customized protection levels
Pickup device rotation	(A axis)	0°-90°/0°-180° (Optional)			Control monitors system conditions and maintenance status
Piece presence control with vacuum switch		standard			Expandable and remotable 12 Input and 12 Output modules
E.O.A.T control		standard			Controls up to 6 axis, with synchro movements
Compressed air supply	(bar) kPa	(6) 600			Remote assistance via ethernet available on request
Venturi vacuum system max. air consumption	(NI/min)	24			Runs up to 10 parallel programs
Mains voltage		3x400-480 VAC TT TN system			Easy positioning teaching
Maximum rated power	(kW)	7			
Auxiliary control voltage	(V d.c.)	24			
Noise level	dB(A)	<85			
Paintwork		RAL 7016 - RAL 9022			
Electrical panel paintwork		RAL 7035			
Interfacing		Euromap 67 - 12 (optional)			
Weight of manipulator	(kg)	320 (S9-S) / 360 (S9-L)			
Weight of electrical panel	(kg)	98			
* Including pickup device and depending on application, speeds and accelerations					

Technical data are not binding and are subject to modification without notice



1. *Y axis high power belt*
2. *low maintenance and accurate belt transmission*
3. *easy connection for pneumatic utility*
4. *special aluminum designed for high stiffness*
5. *brushless motor*
6. *Z axis high-precision guiding system with sliding block on prismatic guides*
7. *Z axis high power belt*
8. *analogic measuring vacuum, programmable from keyboard*
9. *90° pneumatic overturning*
10. *Y axis high-precision guiding system with sliding block on prismatic guides*
11. *X axis high-precision guiding system with sliding block on prismatic guides*
12. *special aluminum designed for high stiffness*